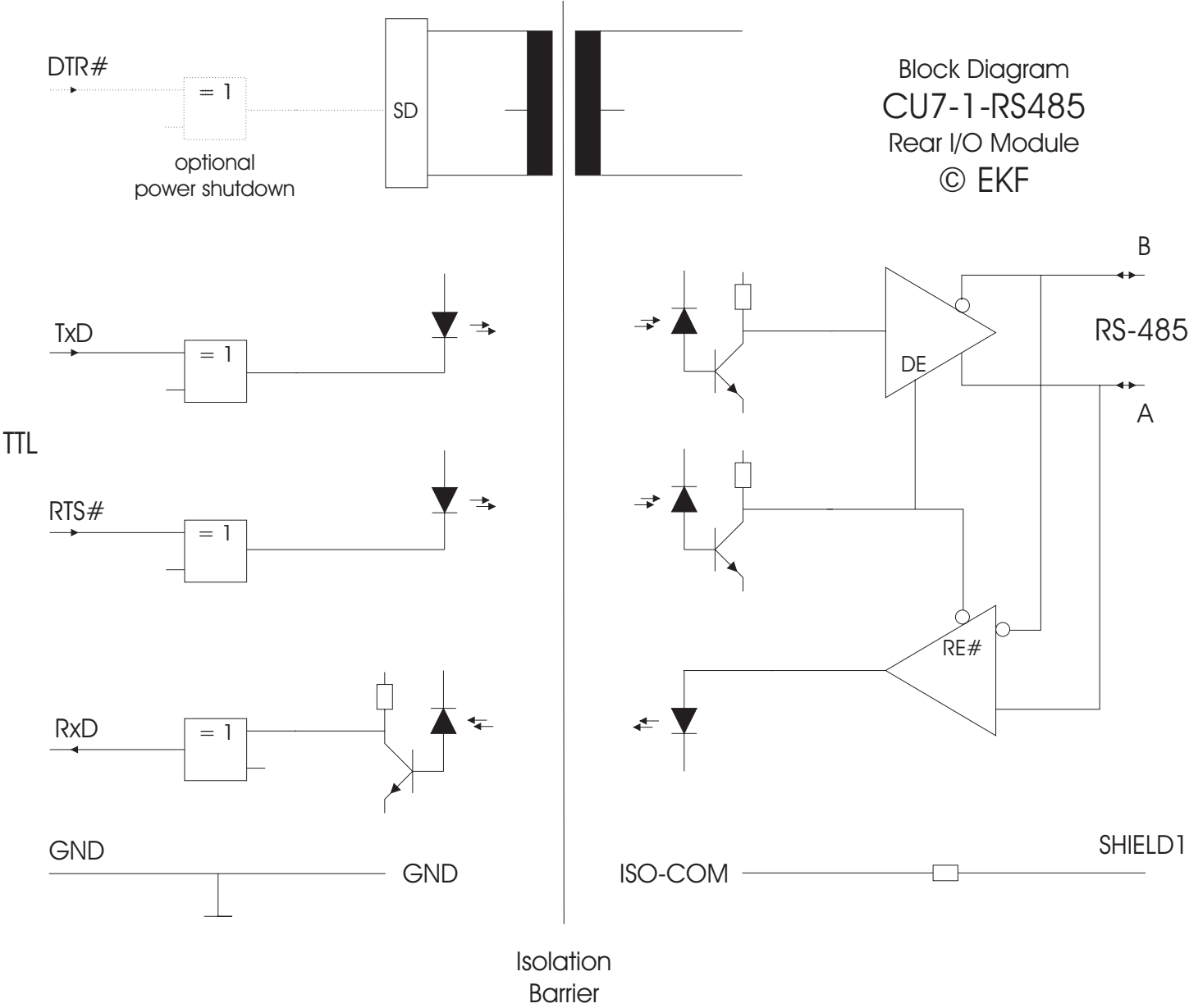


Block Diagram
 CU7-1-RS485
 Rear I/O Module
 © EKF



Block Diagram
CU7-2-RS485
 Rear I/O Module
 © EKF

